

# Infrared Monitoring System

Early Fire Detection and Security Applications

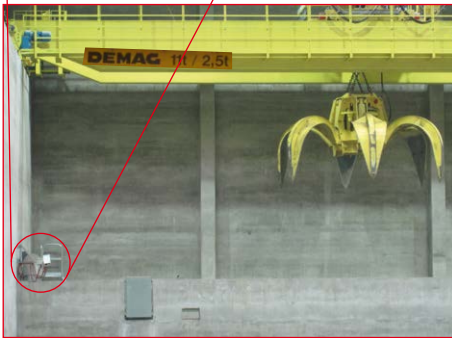
## INFRA<sup>T</sup>EC.

Monitoring of waste bunkers, warehouses and open areas

Automated early detection of bunker fires

Prevention of toxic air pollution emissions

Established fire-protection system



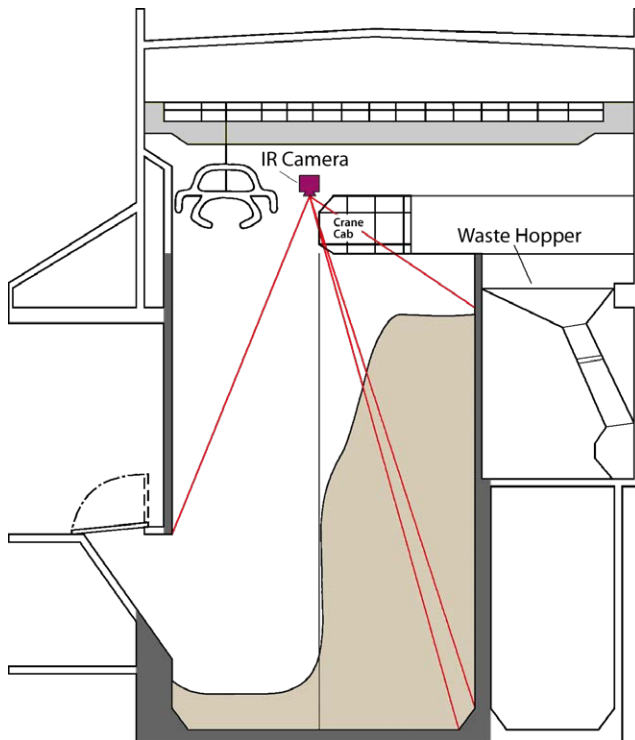
[www.InfraTec.eu](http://www.InfraTec.eu)

Reliability by  
Automated Thermography

# Complete Storage Space Monitoring

## Features

- Works even with one single thermographic camera by application of pan-tilt head
- Automated scanning of several inspection sections
- Maximum cycle time two minutes
- Sector position accuracy  $< 0.2^\circ$
- Switch to manual control for observing suspect spots and evacuating critical objects
- Pilot control of extinguishing zones according to a pre-defined zone table
- Support of multiple recipes (day and night time operation)



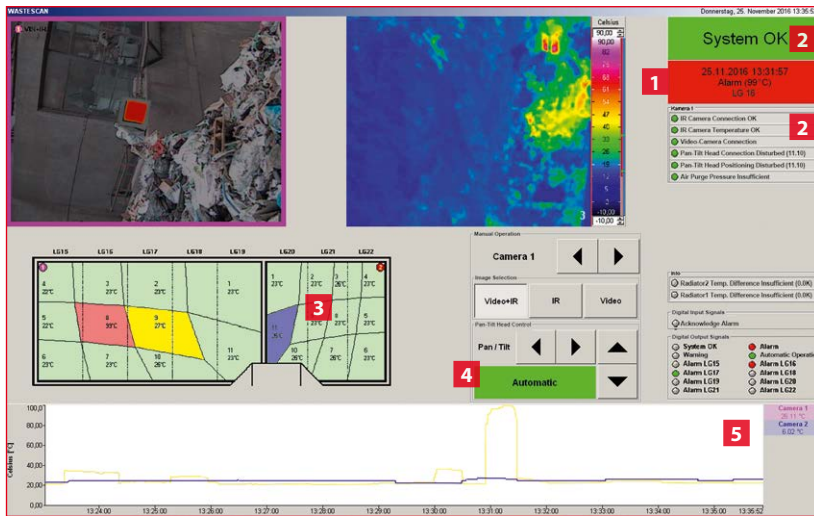
# High-resolution Thermographic Camera

- Quality made in Germany
- Uncooled FPA-Microbolometer detectors of various formats
- High geometrical resolution and thermal sensitivity
- High-contrast, low-noise thermal image
- Localisation of hot spots even under dusty or smoky conditions
- Spectral range (7.5 ... 14)  $\mu\text{m}$ ; frame rate 50/60 Hz
- Real-time data acquisition (Gigabit Ethernet)
- Internal automatic calibration
- Rugged housing for industrial applications IP65 (stainless steel\*)
- Extremely high level of system availability
- Additional colour video camera\*



Ruggedized outdoor housing

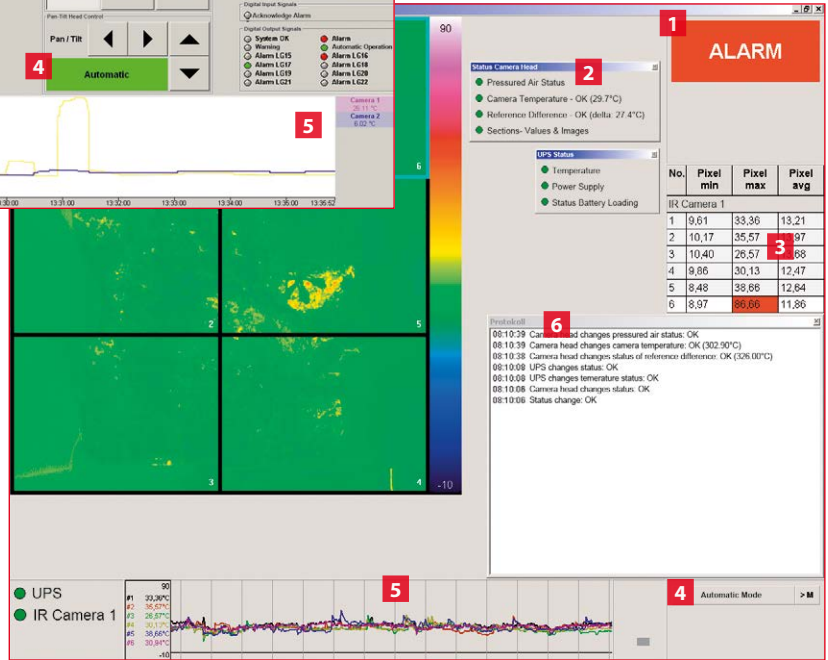
# Powerful Software



Software interface of multiple camera solution

- 4 Control mode, automatic / manual
- 5 Temperature vs. time profile
- 6 Operation logging

- 1 Alarm indication
- 2 Status indication
- 3 Temperature values of single sections



Software interface of single camera solution

- Continuous display of current thermal images of all sections
- Simultaneous display of live image (thermal image and colour video)
- Camera and system status indication
- Merging of live images of thermographic and video camera
- Recording of maximum, minimum and average temperature of each section
- Single or multiple-camera system available
- Graphics of temperature-time profile of all sections
- Logging of operations
- Filing of image data

# Alarm Release

- Automatic alarm release when temperature values exceed critical thresholds
- Multi-level alarm functions with adjustable warning and alarm threshold values
- Analysis of long-term temperature trend with adjustable time basis
- Documentation of alarm situations for analysing fire formation
- Wide range of system versions due to modular design concept

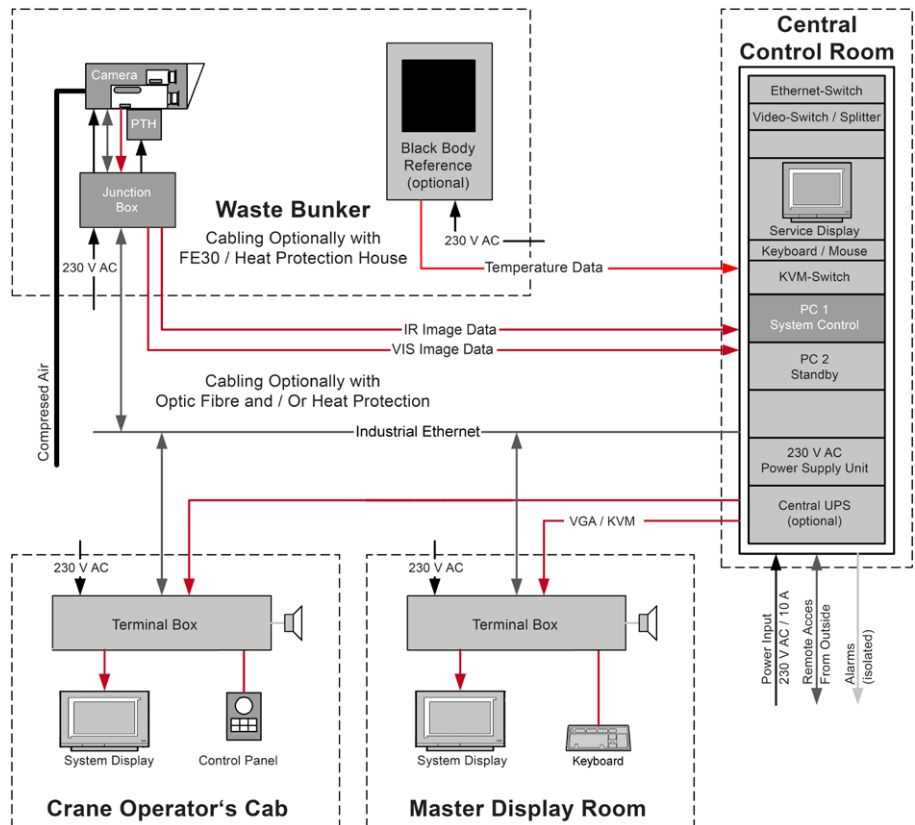


Visual image with hot spot merging



# Customised System Design

- Suited for sustained continuous operation 24 hours / day
- Transfer of thermal images from the camera to a central control room
- Flexible wiring technology (copper or fibre optics)
- Colour display and control panels in crane operator's cab and master display room
- Uninterruptable power supply\*
- System maintenance at PC in control cabinet (via remote control\*)
- Large surface black body reference for atmosphere transmission compensation\*



\* optionally available

## Headquarters

**InfraTec GmbH**  
 Infrarotsensorik und Messtechnik  
 Gostritzer Str. 61 – 63  
 01217 Dresden / GERMANY  
 Phone +49 351 871-8630  
 Fax +49 351 871-8727  
 E-mail thermo@InfraTec.de  
 Internet www.InfraTec.eu

## USA office

**InfraTec infrared LLC**  
 5048 Tennyson Pkwy.  
 Plano TX 75024 / USA  
 Phone +1 844-226-3722 (toll free)  
 E-mail thermo@InfraTec-infrared.com  
 Internet www.InfraTec-infrared.com



Latest information on the Internet.

Design and specification subject to change without prior notice.

© InfraTec 2018 (All the stated product names and trademarks remain in property of their respective owners.)